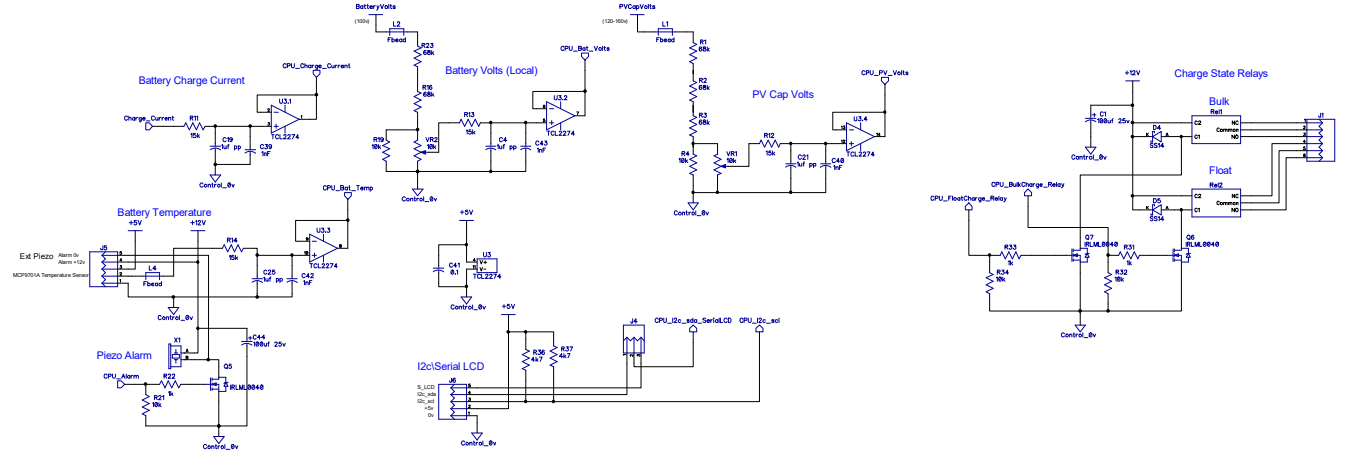
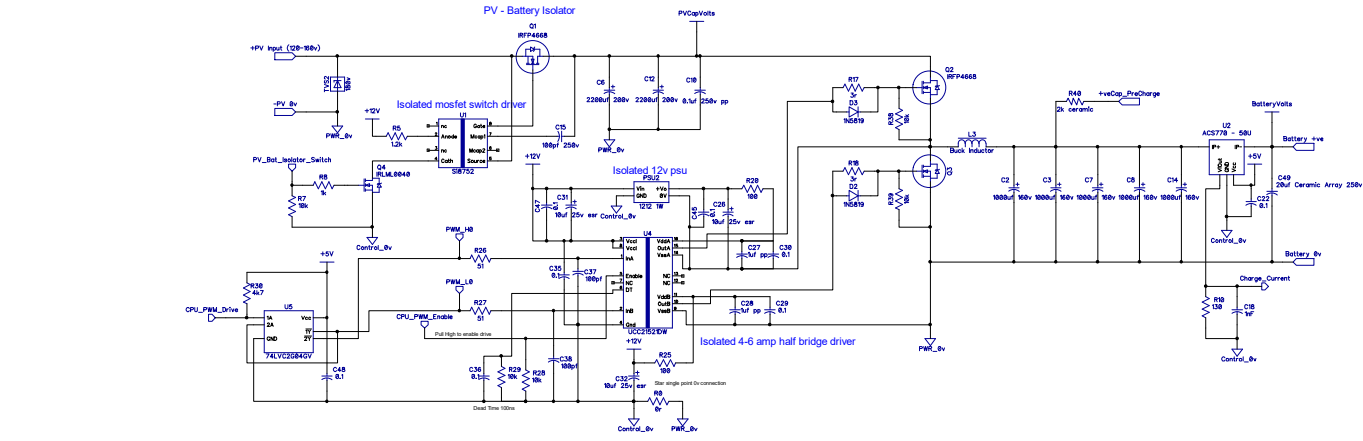


100 volt Synchronous 50 amp Mppt PV Controller  
 Mppt Range 120 - 160 volts input  
 RM Software  
 Ver 100v\_mppt\_02.3

Note: Initial power connections to battery will have high current spikes.



20X2 CPU Module Plug in Card

